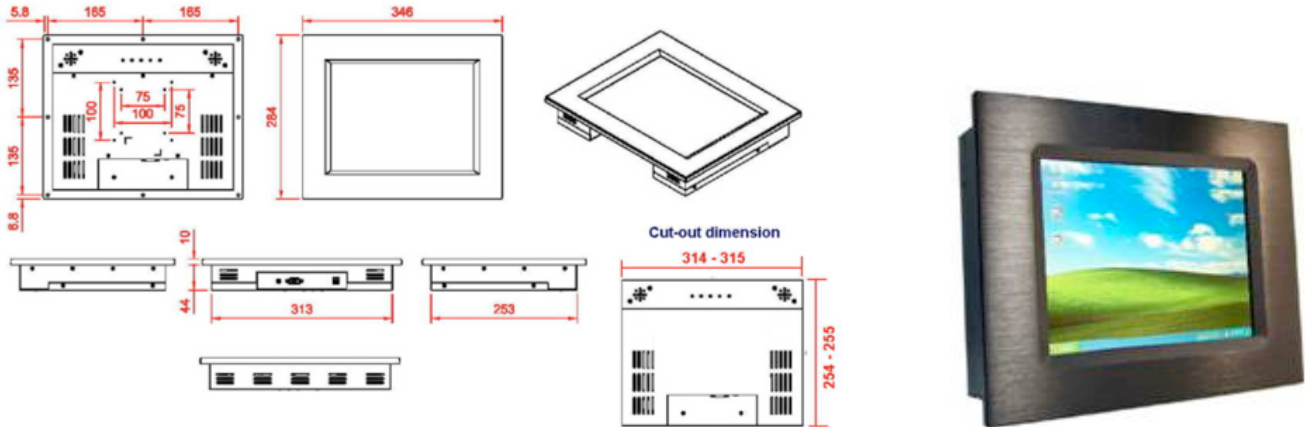


STM-80T-AL

Rugged 8" LCD Touch Monitor with Aluminum bezel



Specifications

LCD Display size:

8" TFT LCD color display

Resolution and Brightness:

- a) 640 x 480 resolution: 350 cd/m²
- b) 800 x 600 resolution: 200 cd/m²

Number of colors:

262,144

View Angles:

Horizontal (left and right): 130 degrees
Vertical (up and down): 95 degrees

Lamp Life:

Around 40,000 hours

Aluminum Bezel and Housing construction:

8mm thick solid aluminum front bezel
Metal construction made by rugged steel metal sheet

Brightness of LCD (Luminance):

200 μ V 250 cd/m² high brightness, with high colors

Optional: Sunlight readable 1600 cd/m² available

Sunlight readable 1600 nits (cd/m²) LCD monitor

IP and NEMA water-resisting Rating:

Meets IP-65 and NEMA-4, 12 water and dust-resistant protection ratings.

Touch Screen: Optional

Long life 5-wire analog resistive touch screen
Resolution: 4096 x 4096
Touch life: 10,000,000 touch times

Wall-mounting method:

Meets industrial standard VESA-75, 4mm screw holes x 4

VGA port:

Standard 15-pin female D-sub VGA connector output supported

DVI port:

Available for your request

OSD control buttons:

Standard On-Screen-Display button controls the Brightness, Contrast, Left, Right, Up and Down of the screen display

Speakers:

Built in 2 x speakers, and 1 audio jack

Power Supply:

Supports 100 -240V AC auto-range power supply

Operating and Storage Temperature:

- a) Operating temperature: 0 ~ + 50 degrees C
- b) Storage temperature: -40 ~ +85 degrees C

Scriptel Corporation
4153 Arlingate Plaza
Columbus, OH 43228 USA
+1 614.276.8402
+1 614.276.7615 Fax
www.scriptel.com