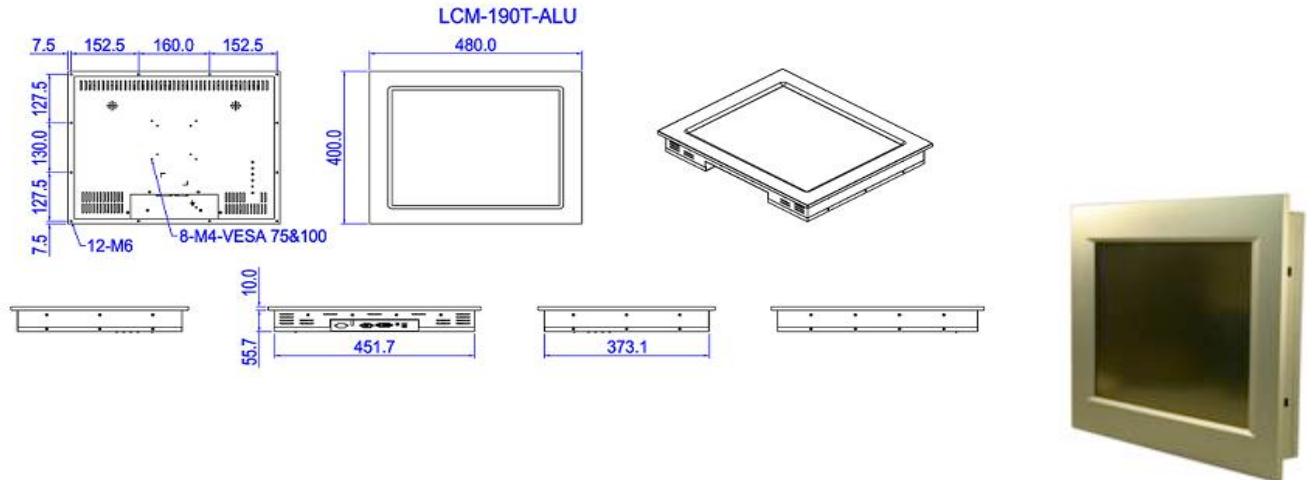


STM-190T-AL

Rugged 19" LCD Touch Monitor with Aluminum bezel



Specifications

LCD Display size:

19" TFT LCD color display
1280 x 1024 resolution
16.77 million colors

Brightness of LCD (Luminance):

300 cd/m² high brightness

Optional: Sunlight readable 1000 cd/m² available

Sunlight readable 1000 nits (cd/m²) LCD monitor

View Angles (Wide):

Horizontal (up and down): 130 degrees
Vertical (left and right): 120 degrees

Lamp Life:

50,000 hours

IP and NEMA water-resisting Rating:

Meets IP-65, 66, 67, 68 and NEMA-4, 12 water and dust-resistant protection ratings.

Touch Screen: Optional

Long life 5-wire analog resistive touch screen
Resolution: 4096 x 4096
Touch life: 10,000,000 touch times
Interface: USB or Serial ports
Option: Capacitive touch screen

Wall-mounting method:

Meets industrial standard VESA-75 and VESA-100

VGA port:

Standard 15-pin female D-sub VGA connector output supported

DVI or BNC connector:

Available for your request

Speakers:

Built in 2 x speakers, and 1 audio jack

Anti-vibration and anti-shock resistant:

High anti-vibration and anti-shock resistant

Power Supply:

Supports 100 -240V AC auto-range power supply

Operating and Storage Temperature:

a) Operating temperature: 0 ~ + 50 degrees C
b) Storage temperature: -40 ~ +85 degrees C

Order information:

STM-190-AL: with Aluminum bezel
STM-190T-AL: with Aluminum bezel and Touch

Scriptel Corporation
4153 Arlingate Plaza
Columbus, OH 43228 USA
+1 614.276.8402
+1 614.276.7615 Fax
www.scriptel.com