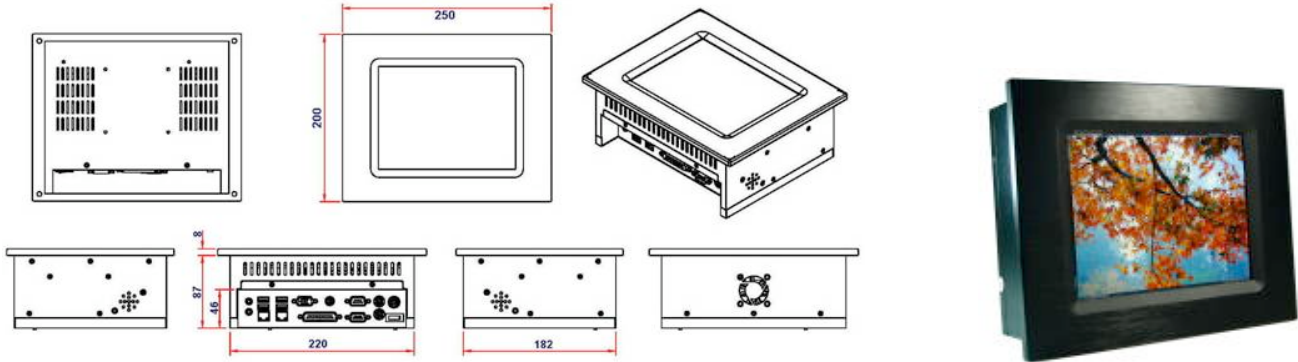


## STC-895T-AL

8" Touch Panel PC



### Specifications

#### System:

**CPU (Standard):** Intel 65 nm, Yonah Mobile high speed 1.6 GHz with 1 M L2

**-Option 1:** Intel 65 nm Mobile 1.86 GHz with 1M L2 cache memory

**-Option 2:** Intel 65 nm Core Dual Mobile 2 GHz with 2M L2 cache

**Memory (Standard):** DD R2-667 M High Speed 512 MB RAM (Option: 1G, 2G, 4GB)

**HDD (Standard):** Slim anti-shock high speed 80G SATA HD (Option: 120G, 160G)

**SDD (CF or DOM):** CF 1G, 2G, 4G, 8G or DOM 1G, 2G, 4G, 8G Solid State flash disk

**Watchdog Timer:** 1-255 seconds programmable (enable through BIOS)

#### LCD Display:

**Size/Resolution:** 8" TFT Color LCD, 800 x 600 pixels

**Luminance (Standard):** 250 cd/m2, long-life LED backlight, 800 x 600, 262, 144 colors

#### I/O:

**Serial (COM) Port:** 2 x COM (1 x RS-232 + 1 RS232/422/485) (total 6 x COM)

**USB 2.0 Port:** 4 X USB 2.0 accessible at the I/O area (total 8)

**LAN:** 2 ultra high-speed Giga bit 10/100/1000 Mbps Ethernet

**TV-out:** Export image or data to a TV screen

**KB/MS/Printer:** 1 x PS2 KB, 1 x PS2 Mouse, 1 x Printer port

**Expansion Slot:** 1 x PCI slot (optional), 1 x CF socket, 1 x DOM socket

**Digital IO (option):** 8 x Digital Inputs, 8 x Digital Outputs, or 4 x D.I. plus 4 x D.O.

#### IP-65 / NEMA-4 Water-Resistant Rating:

**IP-65 Rating:** Meets IP-65, NEMA-4 Ratings at front (steel bezel)

**IP-68 Rating:** Meets IP-65, 66, 67, 68, NEMA-4 Ratings at front (aluminum bezel)

#### Touch Screen: Optional

**Long life 5-wire analog resistive touch screen**

**Resolution:** 4096 x 4096

**Touch life:** 10,000,000 touch times

#### Mechanical & Environmental:

**Operating Temp:** 0~60 degrees Celsius

**Storage Humidity:** 5~95 % non-condensing

**Vibration:** 17 to 500Hz, 3G peak to peak

**Shock:** 20G / peak (11m sec)

**Construction:** Heavy-duty rugged Steel + Aluminum Front Bezel

**Wall Mounting:** VESA-75 Compatible

**Panel Mounting:** Panel mounting supported

#### Video Function:

**Dual Independent Display:** Support Dual Independent Display with 2 different images

**VGA (DVI):** Support second monitor, (DVI is optional)

**3D Graphics:** GMA 950 engine supports 3D/2D high-speed graphics

#### Ordering Information:

**STC-895T-AL:** Intel 1.6G CPU, 512M, 80G HD, Touch, aluminum bezel

**STC-895T:** Intel 1.6G CPU, 512M, 80G HD, Touch, steel bezel

Scriptel Corporation  
4153 Arlingate Plaza  
Columbus, OH 43228 USA  
+1 614.276.8402  
+1 614.276.7615 Fax  
[www.scriptel.com](http://www.scriptel.com)